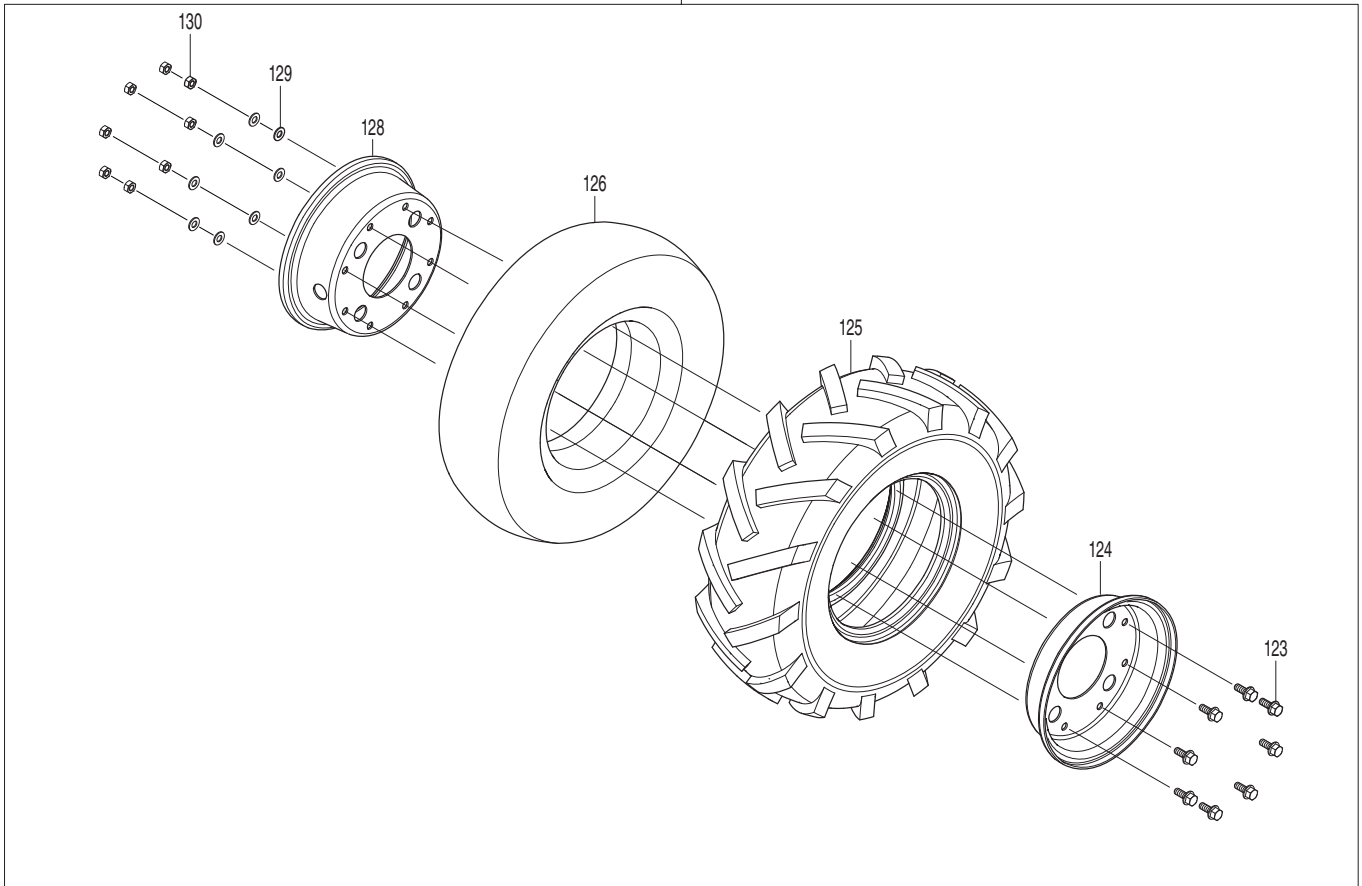
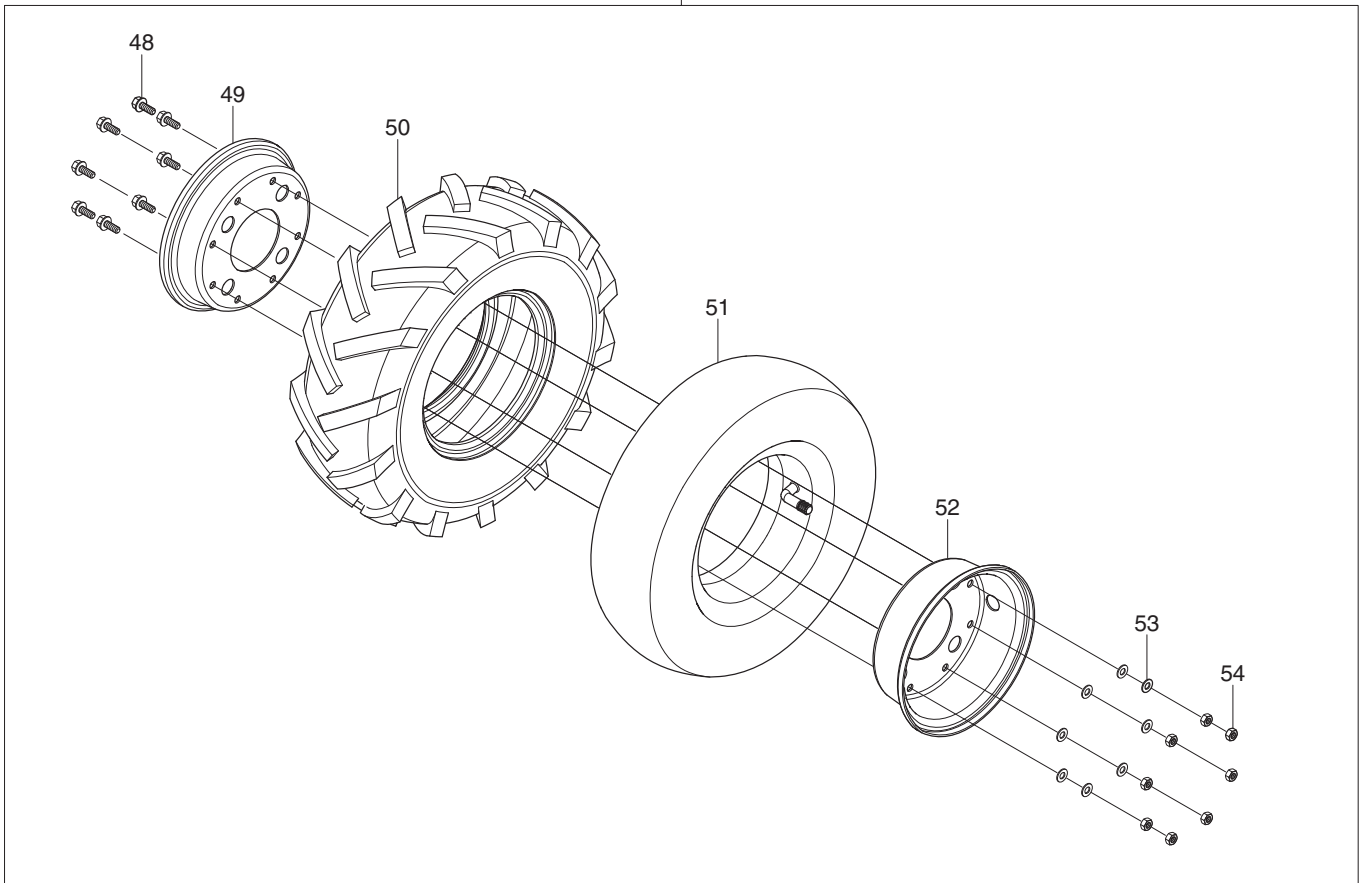
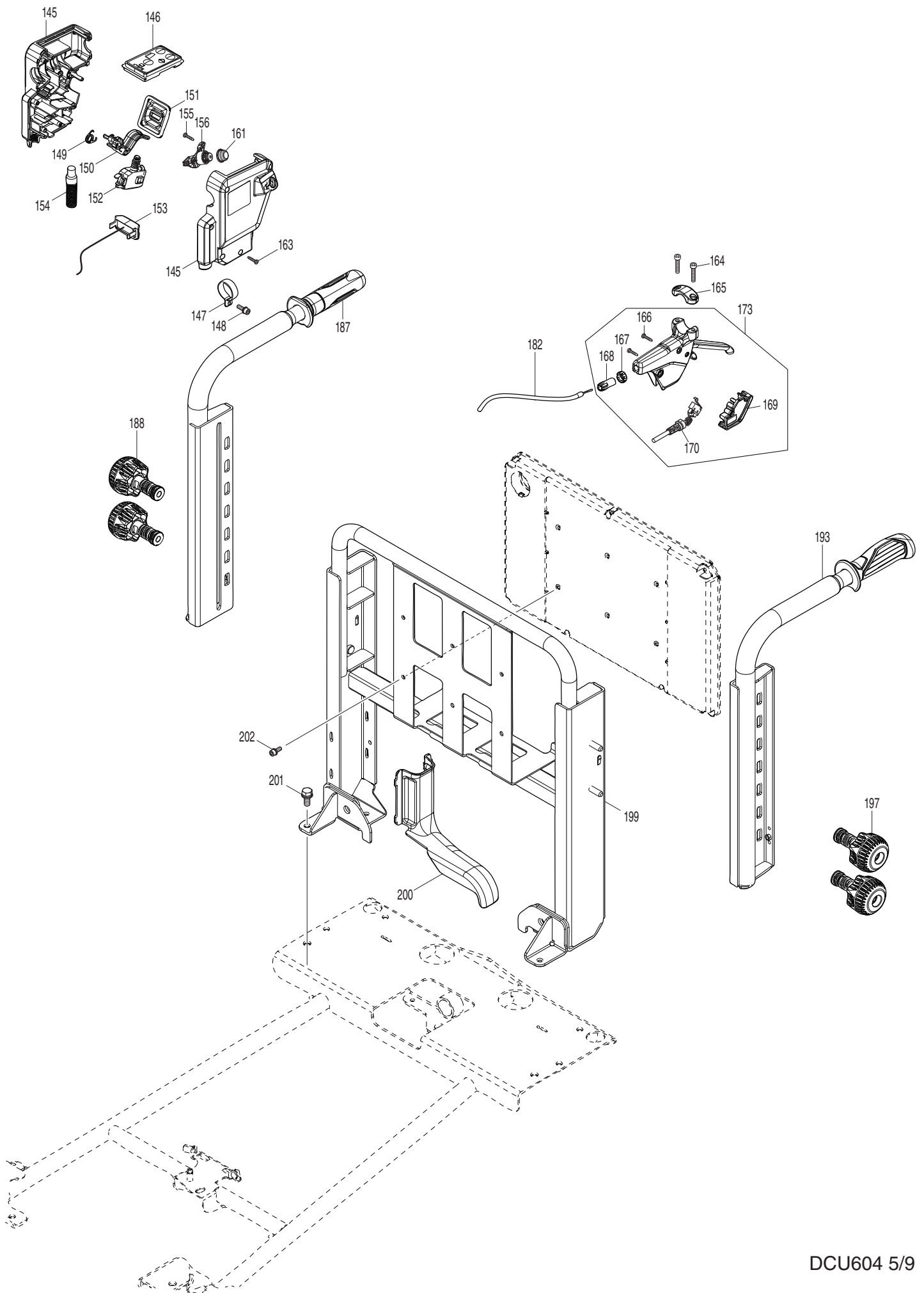


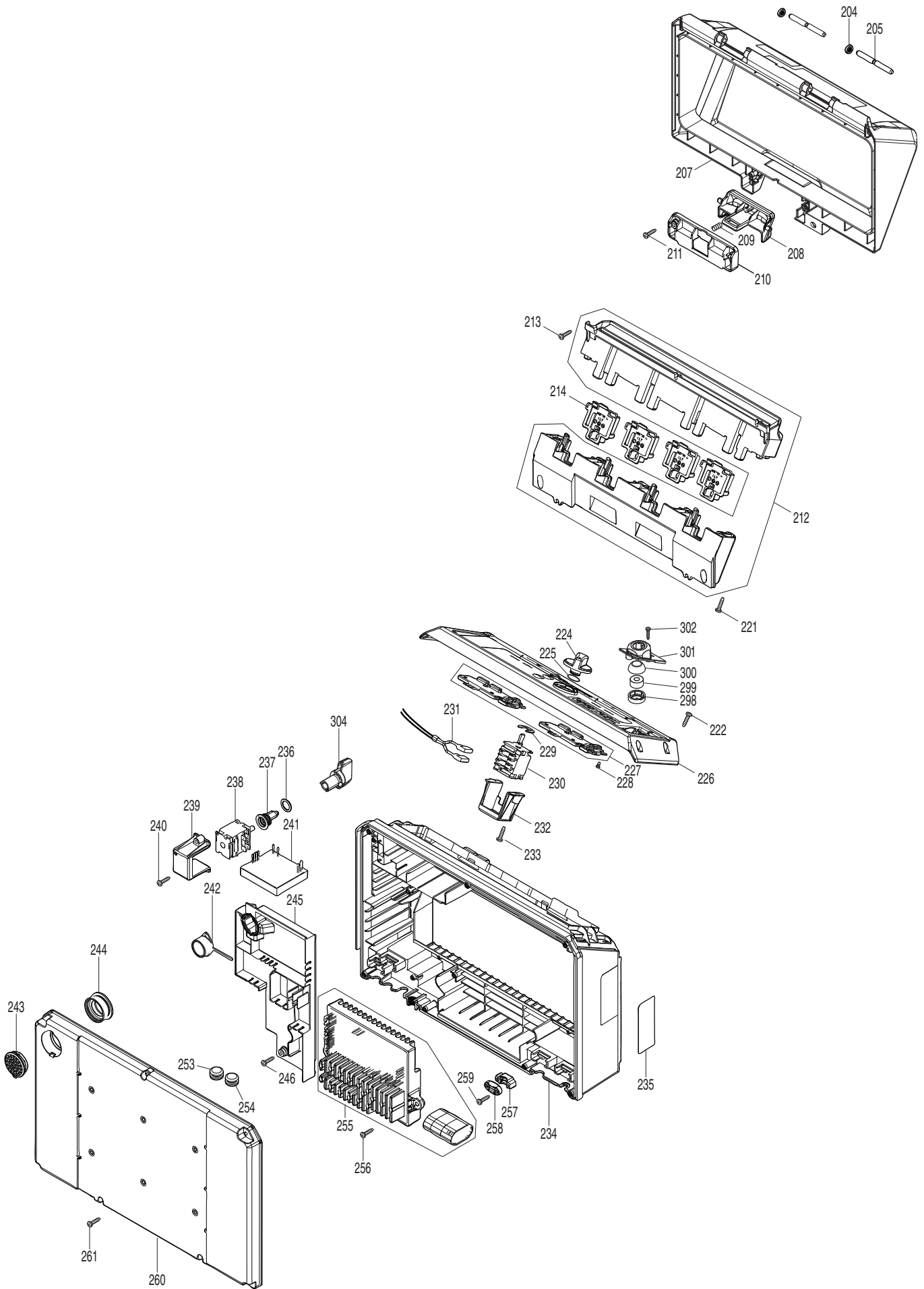
42

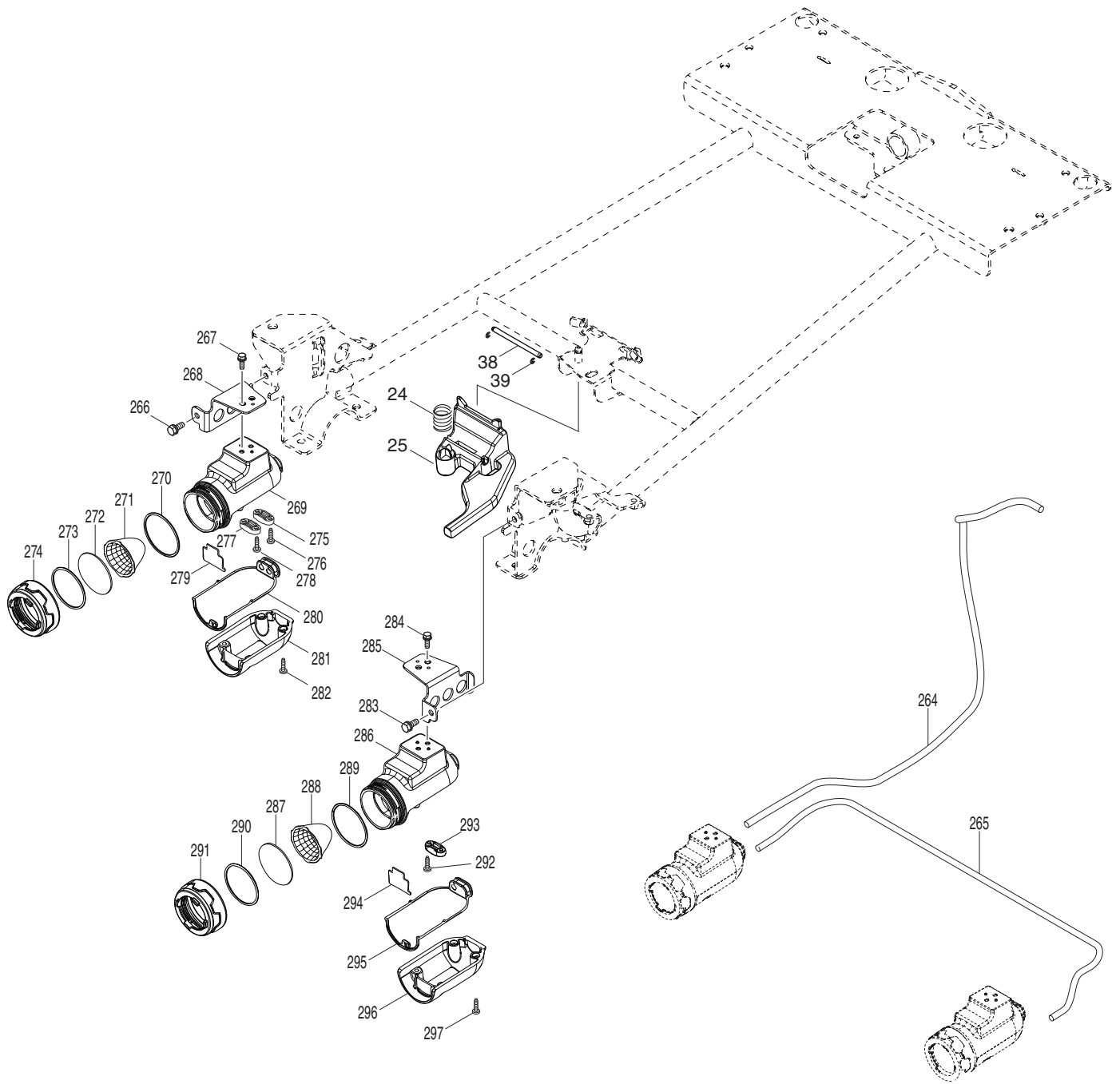


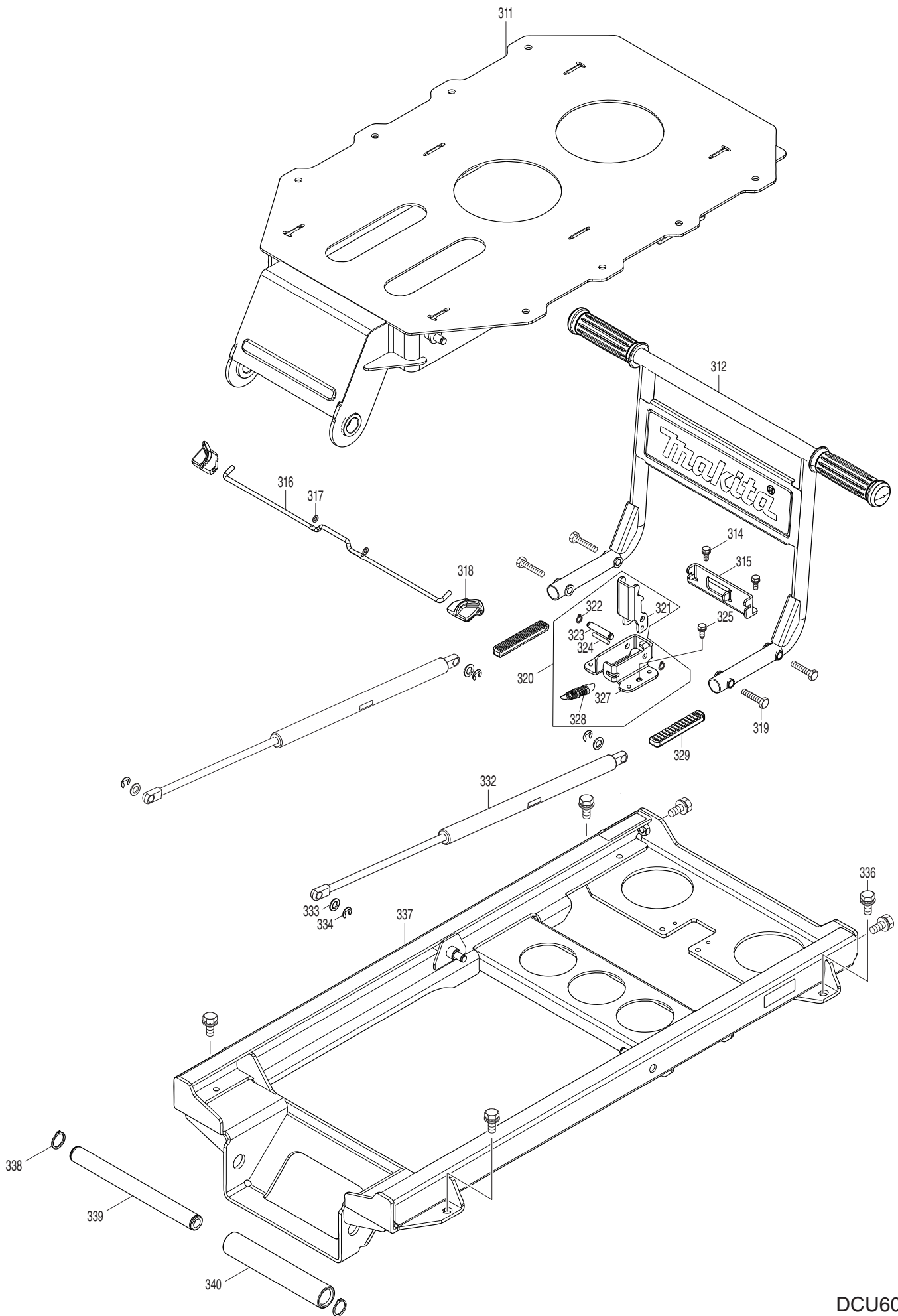
44



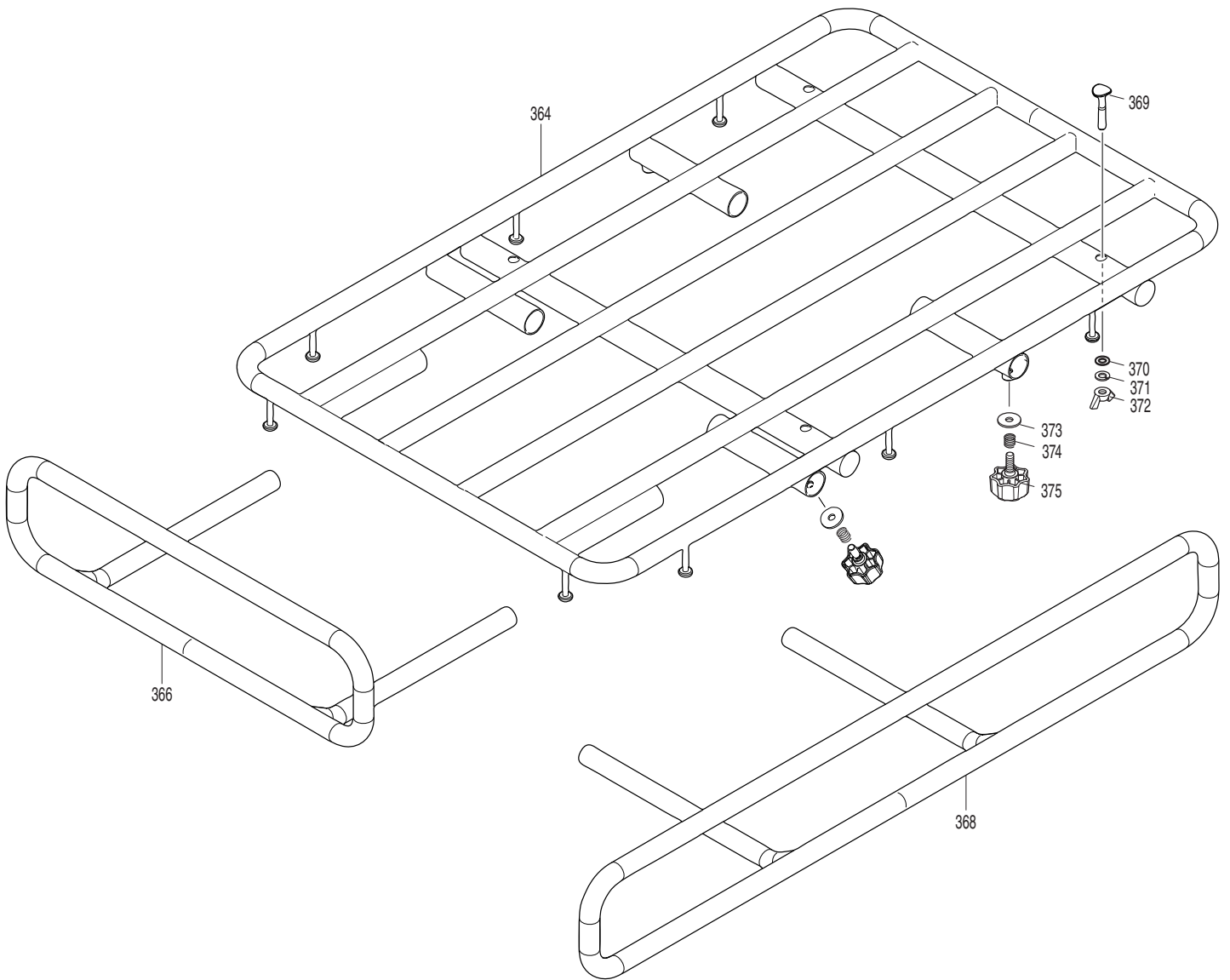
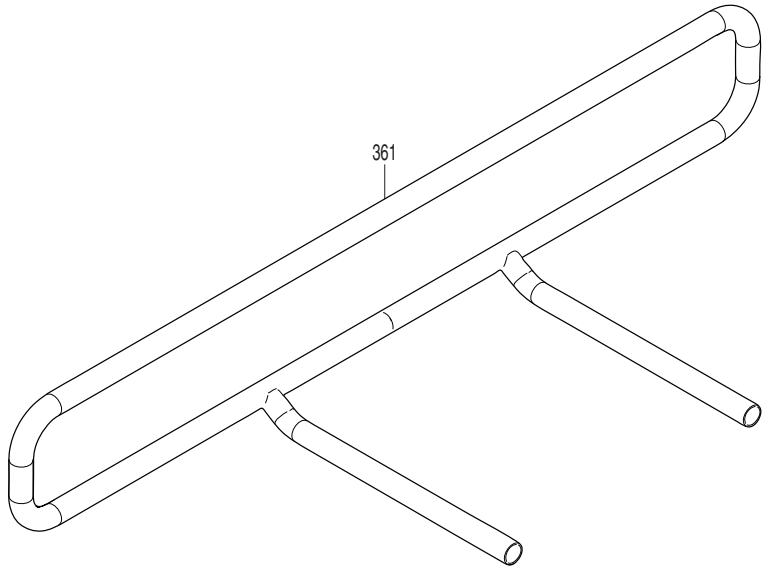












## PARTS LIST

Item No	Type	Part No	Description	Qty	Unit
001		412561-2	CORD COVER	1	PC.
002		265B11-6	HEX. BOLT M8X20 WITH WR	1	PC.
003		141P49-8	MAIN FRAME COMPLETE	1	PC.
003	INC.	8064B2-0	INDICATION LABEL	1	PC.
004		256940-2	PIN 14	1	PC.
005		327472-7	BASE SHAFT 25	1	PC.
006		961062-2	STOP RING E-12	1	PC.
008		261163-9	RUBBER WASHER 25	1	PC.
009		687F01-7	BAND	1	PC.
010		265D23-1	HEX. S.H.B M6X22 WITH GM	2	PC.
011		136868-9	BRAKE CALIPER R ASS'Y	1	PC.
011	INC.		Item No. 305		
012		265C76-4	HEX. BOLT M5X35 WITH WR	2	PC.
014		347993-3	SCRAPER	1	PC.
015		347995-9	CLAMP R	1	PC.
016		265C76-4	HEX. BOLT M5X35 WITH WR	2	PC.
018		347994-1	CLAMP L	1	PC.
019		347993-3	SCRAPER	1	PC.
020		265D23-1	HEX. S.H.B M6X22 WITH GM	2	PC.
021		136869-7	BRAKE CALIPER L ASS'Y	1	PC.
021	INC.		Item No. 306		
022		265B11-6	HEX. BOLT M8X20 WITH WR	2	PC.
023		265B11-6	HEX. BOLT M8X20 WITH WR	2	PC.
024		232737-3	COMPRESSION SPRING 19	1	PC.
025		413D27-9	NEUTRAL LEVER LOCK	1	PC.
026		265C46-3	HEX. BOLT M4X12 WITH WG	1	PC.
027		413D28-7	BRAKE EQUALIZER COVER	1	PC.
028		347629-4	CABLE CLAMP	1	PC.
029		265B14-0	H.S.H.BOLT M6X20 WITH WR	1	PC.
030		961004-6	RETAINING RING (EXT) S-8	1	PC.
031		253165-9	FLAT WASHER 8	3	PC.
032		319906-4	BRAKE EQUALIZER R	1	PC.
033		140P25-9	BRAKE CABLE 370	1	PC.
034		319905-6	BRAKE EQUALIZER L	1	PC.
036		140P25-9	BRAKE CABLE 370	1	PC.
038		256A03-0	ROD 4.5	1	PC.
039		961017-7	STOP RING E-3	2	PC.
040		252289-8	HEX. CAP NUT M14	4	PC.

Item No	Type	Part No	Description	Qty	Unit
041		253475-4	SPRING WASHER 14	4	PC.
042		141G99-9	TIRE 330 R ASSEMBLY	1	PC.
042	INC.		Item No. 123-126,128-130		
044		141H00-0	TIRE 330 L ASSEMBLY	1	PC.
044	INC.		Item No. 48-54		
045		253475-4	SPRING WASHER 14	4	PC.
046		252289-8	HEX. CAP NUT M14	4	PC.
047		347621-0	CLAMP 57	2	PC.
048		265C39-0	HEX. FLANGE HD. BOLT M6X16	8	PC.
049		347950-1	WHEEL 150	1	PC.
050		422857-3	TIRE 330	1	PC.
051		162B39-4	TUBE 330	1	PC.
051	INC.	GQ00000001	VALVE CAP M8	1	PC.
052		347949-6	WHEEL 150	1	PC.
053		253551-4	FLAT WASHER 6	8	PC.
054		252308-0	HEX. NUT M6-10	8	PC.
058		122E51-4	MOTOR ASSEMBLY	1	PC.
059		347698-5	DIFF BRACKET	1	PC.
060		347A16-3	NEUTRAL LEVER	1	PC.
061		347697-7	NEUTRAL LEVER HOLDER	1	PC.
062		232616-5	TORSION SPRING 14	1	PC.
063		413D41-5	NEUTRAL CHANGE LEVER	1	PC.
064		253430-6	FLAT WASHER 8	1	PC.
065		265465-5	HEX. SOCKET HEAD BOLT M6	1	PC.
066		NP00000001	SPLIT PIN 3-35	2	PC.
067		NP00000002	HEX. NUT M20	2	PC.
068		NP00000003	SPRING WASHER 22	2	PC.
069		313304-4	HUB	2	PC.
070		347208-8	BRAKE DISC	2	PC.
071		141P62-6	PLATE COMPLETE	2	PC.
072		265C87-9	H.S.B. HEAD SCREW M5X12	12	PC.
073		327626-6	SLEEVE 25	2	PC.
074		NP00000004	KEY 6	2	PC.
075		122D22-5	DIFFERENTIAL GEAR UNIT	1	PC.
075	INC.		Item No. 66-74		
077		122C29-5	TURNING LOCK R ASSEMBLY	1	PC.
077	INC.		Item No. 78-85		
078		413D33-4	LOCK LEVER	1	PC.
079		327938-7	SNAP RETAINER	1	PC.

Item No	Type	Part No	Description	Qty	Unit
080		268181-8	PIN 3	1	PC.
081		413D32-6	LIFTER GUIDE R	1	PC.
082		232617-3	COMPRESSION SPRING 10	1	PC.
083		253173-0	FLAT WASHER 10	1	PC.
084		961013-5	STOP RING E-7	1	PC.
085		256A04-8	PIN 10	1	PC.
086		265C46-3	HEX. BOLT M4X12 WITH WG	2	PC.
087		122C28-7	TURNING LOCK L ASSEMBLY	1	PC.
087	INC.		Item No. 88-95		
088		413D33-4	LOCK LEVER	1	PC.
089		327938-7	SNAP RETAINER	1	PC.
090		268181-8	PIN 3	1	PC.
091		413D31-8	LIFTER GUIDE L	1	PC.
092		232617-3	COMPRESSION SPRING 10	1	PC.
093		253173-0	FLAT WASHER 10	1	PC.
094		961013-5	STOP RING E-7	1	PC.
095		256A04-8	PIN 10	1	PC.
096		265C46-3	HEX. BOLT M4X12 WITH WG	2	PC.
097		162712-4	REAR BASE	1	PC.
098		265B13-2	HEX. BOLT M10X20 WITH WG	8	PC.
106		265B10-8	HEX BOLT M12X40	1	PC.
107		253460-7	FLAT WASHER 13	1	PC.
109	2	213A73-2	O RING 15	4	PC.
112		327646-0	AXLE 20	1	PC.
113		253460-7	FLAT WASHER 13	1	PC.
114		265B10-8	HEX BOLT M12X40	1	PC.
115		136835-4	HEX. SLEEVE 20 ASS'Y	1	PC.
115	INC.	263027-3	RUBBER PIN 4	1	PC.
117		141H01-8	TIRE 210 ASSEMBLY	2	PC.
117	INC.		Item No. 131-134,136-139		
118		257498-4	RING 20	1	PC.
121		136835-4	HEX. SLEEVE 20 ASS'Y	1	PC.
121	INC.	263027-3	RUBBER PIN 4	1	PC.
122		127457-1	CASTER 210 ASSEMBLY	2	PC.
122	INC.		Item No. 106,107,109,112-115,		
122	INC.		Item No. 117,118,121		
123		265C39-0	HEX. FLANGE HD. BOLT M6X16	8	PC.
124		347950-1	WHEEL 150	1	PC.
125		422857-3	TIRE 330	1	PC.

Item No	Type	Part No	Description	Qty	Unit
126		162B39-4	TUBE 330	1	PC.
126	INC.	GQ00000001	VALVE CAP M8	1	PC.
128		347949-6	WHEEL 150	1	PC.
129		253551-4	FLAT WASHER 6	8	PC.
130		252308-0	HEX. NUT M6-10	8	PC.
131		265C40-5	HEX. BOLT M8X20	4	PC.
132		253552-2	FLAT WASHER 8	4	PC.
133		347952-7	WHEEL 100	1	PC.
134		422860-4	TIRE 210	1	PC.
136		162B40-9	TUBE 210	1	PC.
136	INC.	GQ00000001	VALVE CAP M8	1	PC.
137		347951-9	WHEEL 100	1	PC.
138		253552-2	FLAT WASHER 8	4	PC.
139		252309-8	HEX. NUT M8-13	4	PC.
145		183X90-3	SWITCH BOX SET	1	SET
145	INC.		Item No. 162		
146		140P26-7	SWITCH CIRCUIT COMPLETE	1	PC.
146	INC.	183X57-1	SWITCH PLATE SET	1	PC.
146	INC.	266490-9	TAPPING SCREW PT 2X6	3	PC.
147		346249-1	PIPE CLAMP 28	1	PC.
148		265A97-4	H.S.H.BOLT M5X16 WITH WR	1	PC.
149		232738-1	TORSION SPRING 11	1	PC.
150		412206-2	SWITCH LEVER	1	PC.
151		422554-1	LEVER COVER	1	PC.
152		651395-0	SWITCH C3JW-6B-PA6N	1	PC.
152		651395-0	SWITCH C3JW-6B-PA6N	1	PC.
153		620C26-0	LED CIRCUIT	1	PC.
153		620C26-0	LED CIRCUIT	1	PC.
154		699178-0	POWER SUPPLY CORD UNIT	1	PC.
155		266130-9	TAPPING SCREW BIND PT 3X16	2	PC.
156		122C26-1	BUZZER SWITCH ASSEMBLY	1	PC.
156	INC.	632T14-7	SWITCH UNIT	1	PC.
161		422555-9	SWITCH COVER	1	PC.
163		266130-9	TAPPING SCREW BIND PT 3X16	6	PC.
164		265C98-4	HEX SOCKET HEAD BOLT M5X25	2	PC.
165		312C48-1	CLAMP 22	1	PC.
166		266130-9	TAPPING SCREW BIND PT 3X16	2	PC.
167		312C44-9	ADJUST NUT	1	PC.
168		312C43-1	ADJUST BOLT	1	PC.

Item No	Type	Part No	Description	Qty	Unit
169		413D25-3	SWITCH HOLDER	1	PC.
170		632T13-9	SWITCH UNIT	1	PC.
173		127458-9	BRAKE LEVER ASSEMBLY	1	PC.
173	INC.		Item No. 166-170		
182		140P23-3	BRAKE CABLE 1590	1	PC.
187		140T47-3	HANDLE R COMPLETE	1	PC.
188		141H20-4	HANDLE LOCK KNOB	2	PC.
188	INC.	232739-9	COMPRESSION SPRING 15	2	PC.
188	INC.	313400-8	SPRING HOLDER	2	PC.
193		140P15-2	HANDLE L COMPLETE	1	PC.
197		141H20-4	HANDLE LOCK KNOB	2	PC.
197	INC.	313400-8	SPRING HOLDER	2	PC.
197	INC.	232739-9	COMPRESSION SPRING 15	2	PC.
199	1	141N97-5	HANDLE BASE COMPLETE	1	PC.
199	1	INC. 8059G2-2	INDICATION LABEL	1	PC.
199	2	141W22-0	HANDLE BASE COMPLETE	1	PC.
199	2	INC. 8075A0-6	INDICATION LABEL	1	PC.
200		412562-0	HANDLE BASE COVER	1	PC.
201		265B11-6	HEX. BOLT M8X20 WITH WR	4	PC.
202		265A96-6	H.S.H.BOLT M5X14 WITH WR	6	PC.
204		262206-0	RUBBER RING 6	2	PC.
205		256942-8	ROD 6	2	PC.
207	INC.	816M70-5	INDICATION LABEL	1	PC.
207	INC.	8048W9-1	CAUTION LABEL	1	PC.
207	1	141K02-4	BATTERY COVER COMPLETE	1	PC.
207	1	INC. 8059G1-4	INDICATION LABEL	1	PC.
207	2	141W61-0	BATTERY COVER COMPLETE	1	PC.
207	2	INC. 8074Y9-0	INDICATION LABEL	1	PC.
208		412195-1	BATTERY COVER HOOK	1	PC.
209		231240-1	COMPRESSION SPRING 7	1	PC.
210		412533-7	HOOK RETAINER	1	PC.
211		266326-2	TAPPING SCREW 4X18	2	PC.
212		183V34-1	TERMINAL CASE SET	1	SET
212	INC.	263005-3	RUBBER PIN 6	8	PC.
213		266326-2	TAPPING SCREW 4X18	5	PC.
214		644809-6	TERMINAL	4	PC.
215		961004-6	RETAINING RING (EXT) S-8	1	PC.
216		265C85-3	HEX SOCKET HEAD BOLT M6X12	2	PC.
217		265C86-1	HEX SOCKET HEAD BOLT M6X22	2	PC.

Item No	Type	Part No	Description	Qty	Unit
218		265C86-1	HEX SOCKET HEAD BOLT M6X22	3	PC.
219		347A43-0	SPACER 6	3	PC.
221		266326-2	TAPPING SCREW 4X18	5	PC.
222		266326-2	TAPPING SCREW 4X18	4	PC.
224		412196-9	CHANGE LEVER	1	PC.
225		213A15-6	O-RING 14	1	PC.
226		141L75-3	TOP COVER COMPLETE	1	PC.
226	INC.	8048W3-3	INDICATION LABEL	1	PC.
227		620C24-4	INDICATION CIRCUIT	1	PC.
228		265C42-1	TAPPING SCREW 3X6	10	PC.
229		961062-2	STOP RING E-12	1	PC.
230		651444-3	SWITCH 1703.4703	1	PC.
231		638A27-2	LEAD UNIT	1	PC.
232		451343-7	SWITCH HOLDER	1	PC.
233		266326-2	TAPPING SCREW 4X18	2	PC.
234		412188-8	CENTER CASE	1	PC.
235		8118L6-3	DCU604 NAME PLATE	1	PC.
236		213A15-6	O-RING 14	1	PC.
237		413D29-5	KEY JOINT	1	PC.
238		650622-2	SWITCH	1	PC.
239		451343-7	SWITCH HOLDER	1	PC.
240		266326-2	TAPPING SCREW 4X18	2	PC.
241		620G67-0	CONTROLLER	1	PC.
242		620C25-2	BUZZER CIRCUIT	1	PC.
243		413D35-0	BUZZER COVER	1	PC.
244		422840-0	GROMMET	1	PC.
245		412194-3	INNER CASE	1	PC.
246		266326-2	TAPPING SCREW 4X18	2	PC.
253		682114-3	GROMMET	1	PC.
254		682114-3	GROMMET	1	PC.
255		620D13-5	CONTROLLER	1	PC.
256		266326-2	TAPPING SCREW 4X18	2	PC.
257		687051-6	STRAIN RELIEF	1	PC.
258		687124-5	STRAIN RELIEF	1	PC.
259		266326-2	TAPPING SCREW 4X18	2	PC.
260		412190-1	FRONT COVER	1	PC.
261		266326-2	TAPPING SCREW 4X18	7	PC.
264		699180-3	POWER SUPPLY CORD UNIT	1	PC.
265		699181-1	POWER SUPPLY CORD UNIT	1	PC.

Item No	Type	Part No	Description	Qty	Unit
266		265B16-6	HEX. BOLT M6X16 WITH WR	1	PC.
267		265B17-4	HEX. BOLT M5X16 WITH WR	2	PC.
268		347622-8	LIGHT STAY R	1	PC.
269		319594-7	LIGHT CASE	1	PC.
270		213656-2	O RING 53	1	PC.
271		457636-0	REFLECTOR	1	PC.
272		457634-4	LENS	1	PC.
273		213604-1	O RING 50	1	PC.
274		457635-2	COVER	1	PC.
275		687124-5	STRAIN RELIEF	1	PC.
276		266034-5	TAPPING SCREW CT 4X16	2	PC.
277		687124-5	STRAIN RELIEF	1	PC.
278		266034-5	TAPPING SCREW CT 4X16	2	PC.
279		620685-2	LED CIRCUIT	1	PC.
280		422151-3	PACKING	1	PC.
281		319595-5	LIGHT CASE COVER	1	PC.
282		266034-5	TAPPING SCREW CT 4X16	4	PC.
283		265B16-6	HEX. BOLT M6X16 WITH WR	1	PC.
284		265B17-4	HEX. BOLT M5X16 WITH WR	2	PC.
285		347623-6	LIGHT STAY L	1	PC.
286		319594-7	LIGHT CASE	1	PC.
287		457634-4	LENS	1	PC.
288		457636-0	REFLECTOR	1	PC.
289		213656-2	O RING 53	1	PC.
290		213604-1	O RING 50	1	PC.
291		457635-2	COVER	1	PC.
292		266034-5	TAPPING SCREW CT 4X16	2	PC.
293		687124-5	STRAIN RELIEF	1	PC.
294		620685-2	LED CIRCUIT	1	PC.
295		422166-0	PACKING	1	PC.
296		319595-5	LIGHT CASE COVER	1	PC.
297		266034-5	TAPPING SCREW CT 4X16	4	PC.
298		413D37-6	LEVEL CASE	1	PC.
299		242101-0	LEVEL INDICATOR	1	PC.
300		413D36-8	LEVEL COVER	1	PC.
301		413D38-4	LEVEL RETANER	1	PC.
302		266130-9	TAPPING SCREW BIND PT 3X16	2	PC.
303		687F00-9	BAND	1	PC.
304		413D30-0	KEY	1	PC.



Item No	Type	Part No	Description	Qty	Unit
305		422961-8	PAD RETAINER	1	PC.
306		422961-8	PAD RETAINER	1	PC.
311		162717-4	UPPER FRAME	1	PC.
312	2	141R22-0	DUMP HANDLE COMPLETE	1	PC.
312	2	INC. 8048W5-9	MAKITA LOGO LABEL	1	PC.
314		265B16-6	HEX. BOLT M6X16 WITH WR	2	PC.
315		347628-6	HOLDER	1	PC.
316		327470-1	ROD 5	1	PC.
317		941102-2	FLAT WASHER 5	2	PC.
318		412197-7	KNOB	2	PC.
319		921461-0	HEX. BOLT M8X40	4	PC.
320		122C30-0	DUMP LOCK ASSEMBLY	1	PC.
320	INC.		Item No. 321-324,327,328		
321		347626-0	ARM	1	PC.
322		961004-6	RETAINING RING (EXT) S-8	2	PC.
323		256943-6	PIN 8	1	PC.
324		256196-7	PIN 5	1	PC.
325		265B16-6	HEX. BOLT M6X16 WITH WR	2	PC.
327		347627-8	BASE	1	PC.
328		232618-1	TENSION SPRING 11	1	PC.
329		422556-7	CUSHION RUBBER	2	PC.
332		162816-2	GAS SPRING 240	2	PC.
333		941252-3	FLAT WASHER 10	4	PC.
334		961014-3	STOP RING E-8	4	PC.
336		265508-3	HEX.BOLT M10X25	6	PC.
337		141N98-3	DUMP BASE COMPLETE	1	PC.
337	INC.	8059G7-2	INDICATION LABEL	1	PC.
337	INC.	8059G3-0	CAUTION LABEL	2	PC.
337	INC.	8059G6-4	INDICATION LABEL	1	PC.
338		961102-6	RETAINING RING S-22	2	PC.
339		327474-3	SHAFT 22	1	PC.
340		327480-8	SLEEVE 22	1	PC.
361		141N88-6	SIDE GUARD COMPLETE	1	PC.
361	INC.	457744-7	CAP 22	2	PC.
364		141N87-8	PIPE FRAME COMPLETE	1	PC.
364	INC.	457743-9	CAP 30	4	PC.
366		141N89-4	FRONT GUARD COMPLETE	1	PC.
366	INC.	457744-7	CAP 22	2	PC.
368		141N88-6	SIDE GUARD COMPLETE	1	PC.

Item No	Type	Part No	Description	Qty	Unit
368	INC.	457744-7	CAP 22	2	PC.
369		265C30-8	FLAT HEAD BOLT M8X50	4	PC.
370		253165-9	FLAT WASHER 8	4	PC.
371		942201-3	SPRING WASHER 8	4	PC.
372		934401-9	WING NUT M8	4	PC.
373		253852-0	FLAT WASHER 8	6	PC.
374		232710-3	COMPRESSION SPRING 12	6	PC.
375		251541-1	THUMB SCREW M8X25	6	PC.
376		941201-0	FLAT WASHER 8	1	PC.
A01		-----	18V LI-ION BATTERY		
A02		-----	BATTERY CHARGER		
F01	1	191B63-0	FUNCTIONAL UNIT SET F/ PIPE FRAME, DUMP BUCKET	1	PC.
F02		191B67-2	FRAME CARRIER SET	1	PC.
F03		1911K4-7	BLACK TIRE 330 SINGLE	1	PC.
F04		1911K5-5	GREY TIRE 330 SINGLE	1	PC.
F05		1911K6-3	GREY TIRE 210 SINGLE	1	PC.
F06		191B69-8	DUMP BUCKET 200 SET	1	PC.
F07		1911B3-6	FUNCTIONAL UNIT F/ FLAT BUCKET	1	PC.